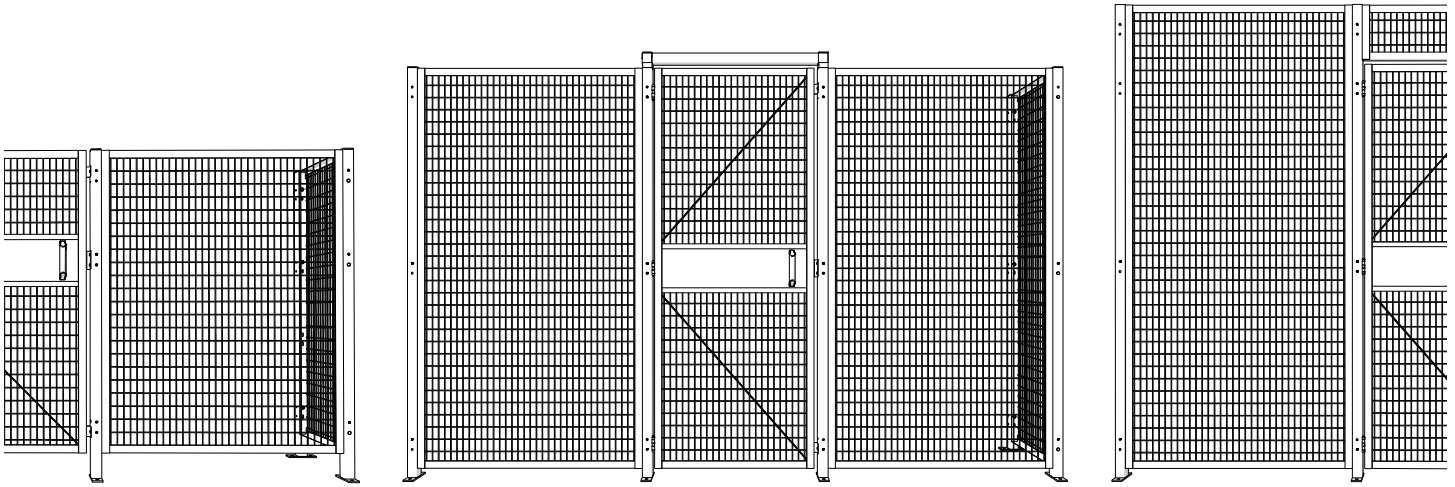


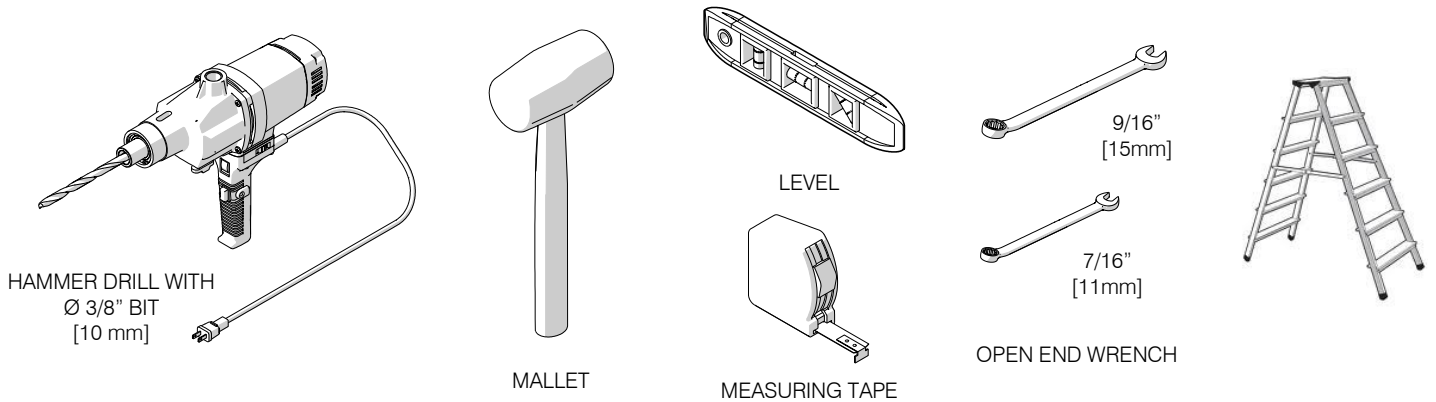


SAF-T-FENCE®

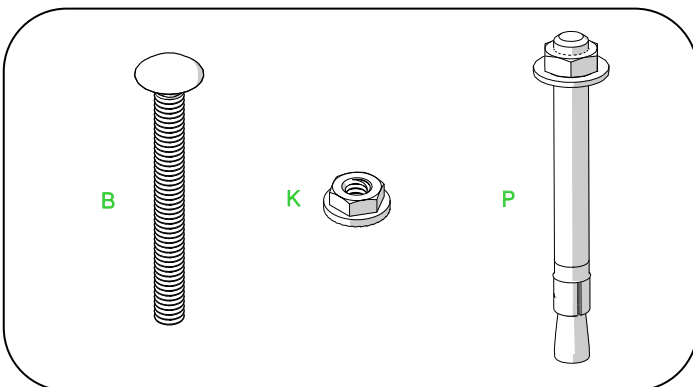
Panel & Post Installation
Instructions



TOOLS REQUIRED:



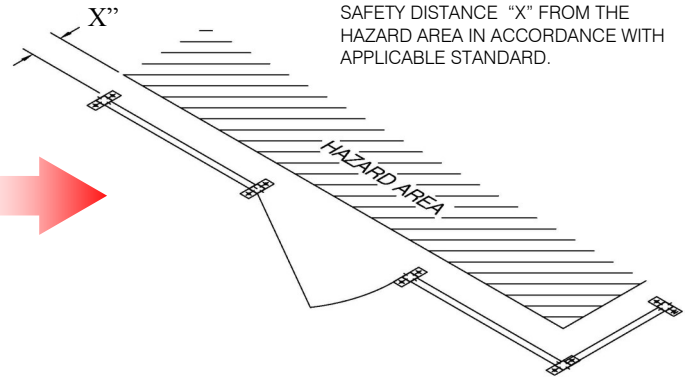
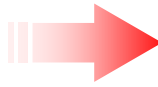
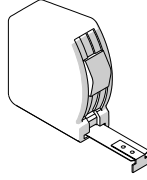
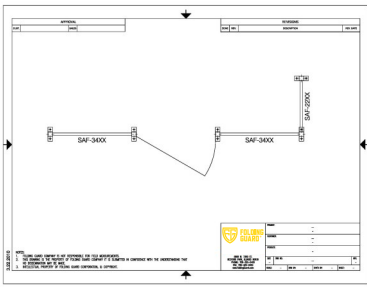
HARDWARE PROVIDED:



HARDWARE LIST

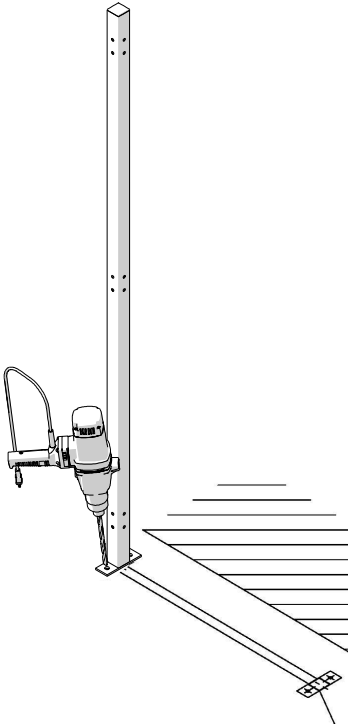
- (B) 1/4"-20 x 2-1/2" SQUARE NECK CARRIAGE BOLT
- (K) 1/4"-20 FLANGE NUT
- (P) 3/8" x 3-3/4" WEDGE ANCHOR

1

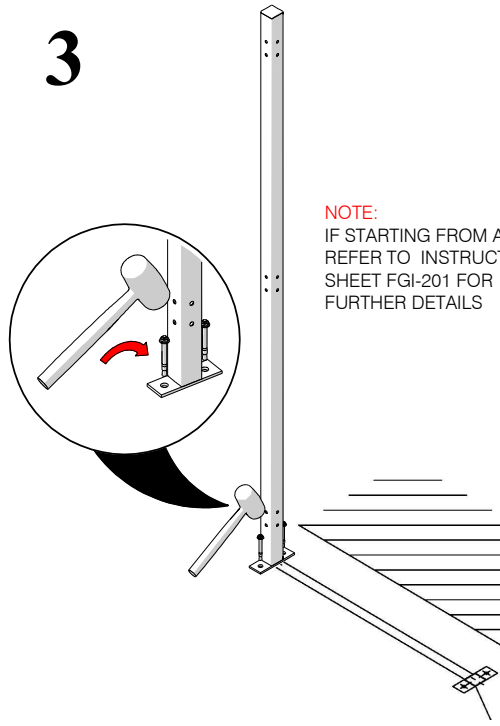


SAFETY DISTANCE "X" FROM THE HAZARD AREA IN ACCORDANCE WITH APPLICABLE STANDARD.

2

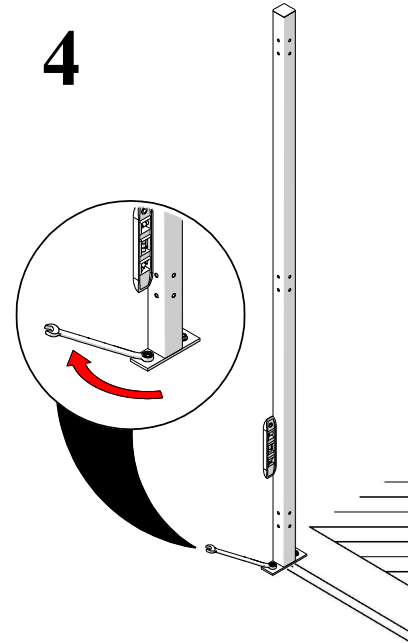


3

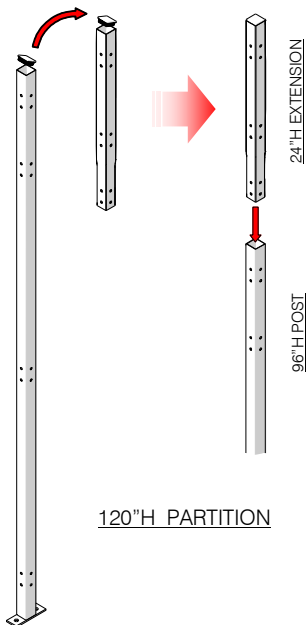


NOTE:
IF STARTING FROM A WALL,
REFER TO INSTRUCTION
SHEET FGI-201 FOR
FURTHER DETAILS

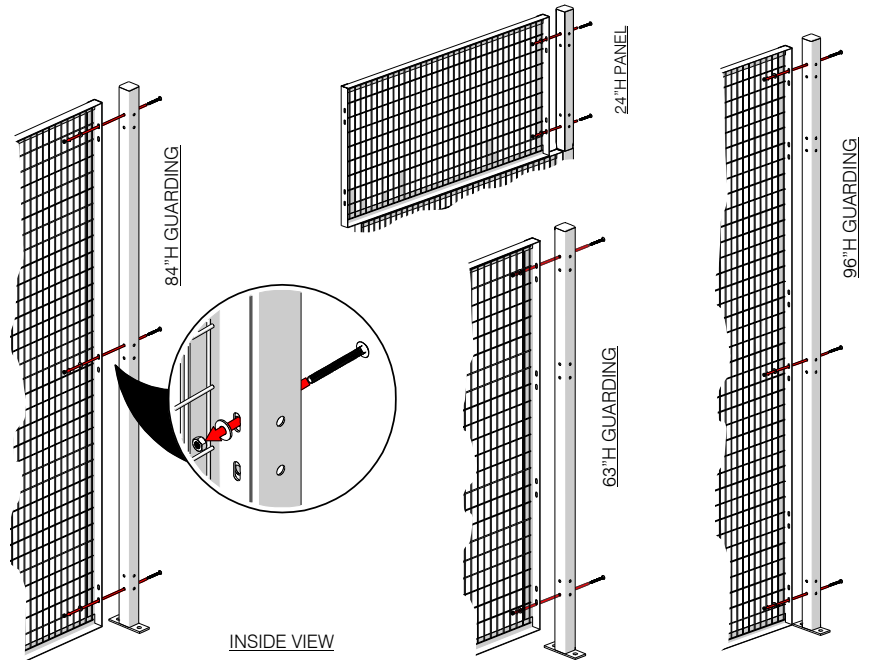
4



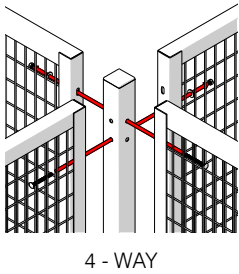
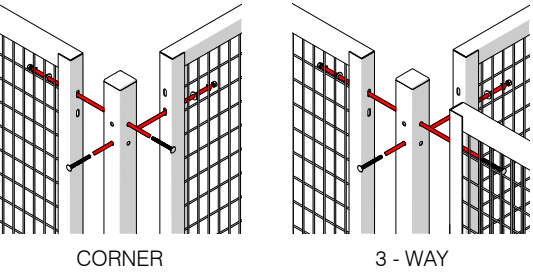
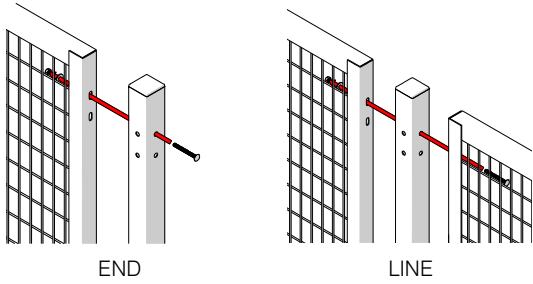
5



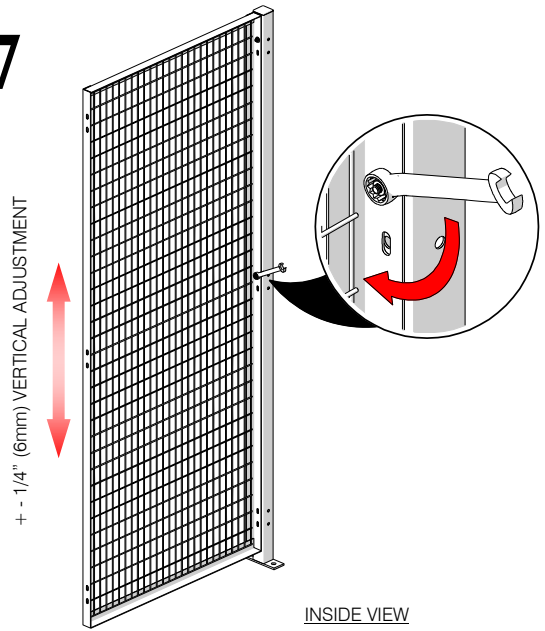
6



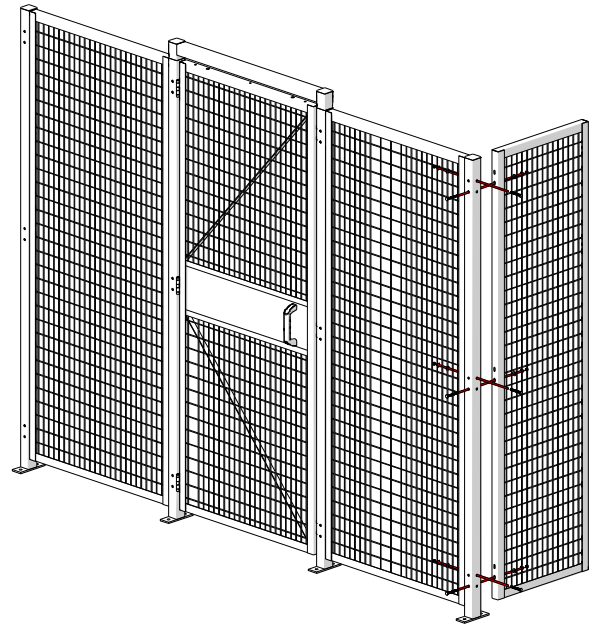
ALTERNATE PANEL CONFIGURATIONS



7

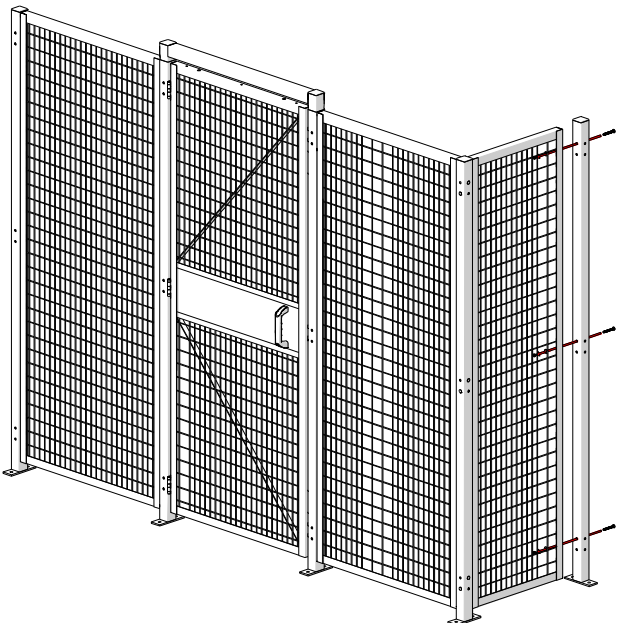


8

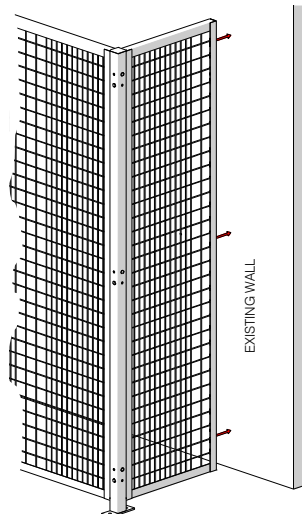


NOTE:
IF INSTALLING POST(S) ADJACENT TO DOOR, REFER TO DOOR ASSEMBLY INSTRUCTIONS PRIOR TO INSTALL.

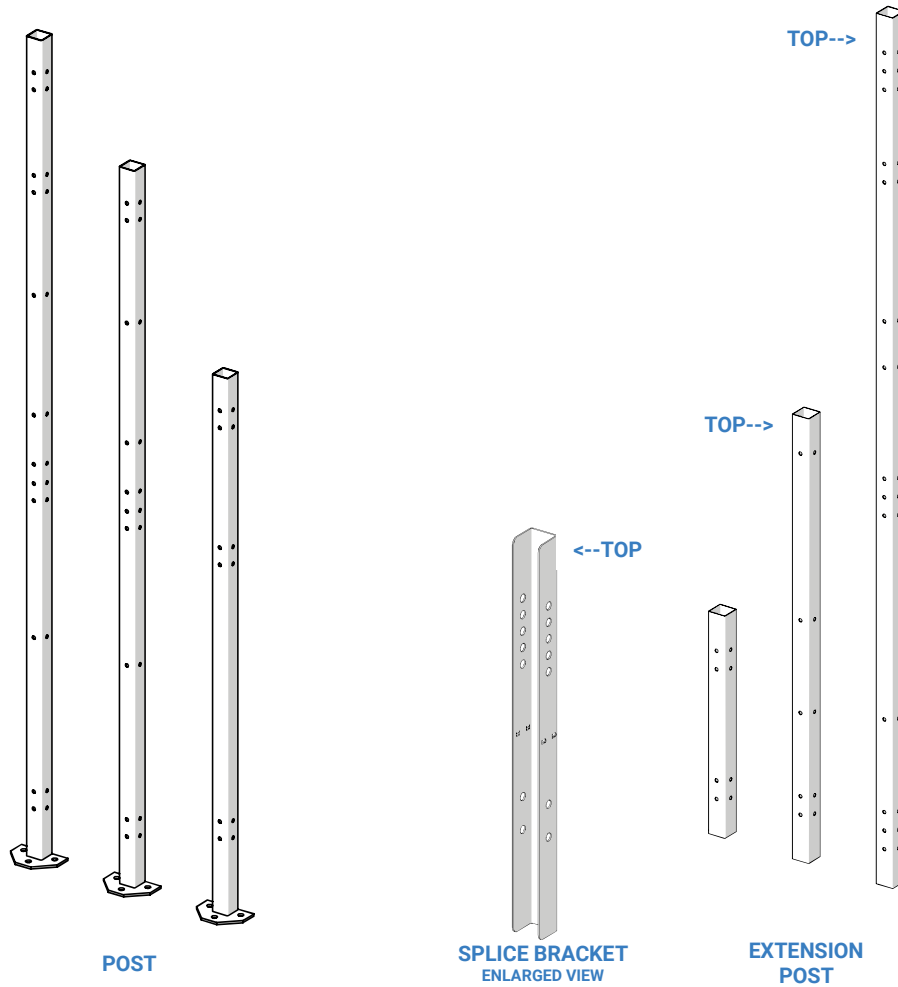
9a


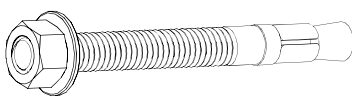
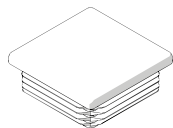

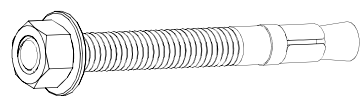


9b



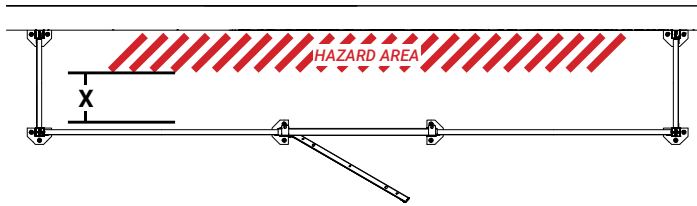
NOTE:
SAF-T-FENCE WALL KIT
REQUIRED FOR PANEL TO WALL
INSTALLATION (SEE INSTRUCTION
SHEET FGI-201 FOR FURTHER
DETAILS)



KT312 x1			KT52205	
				
B x 2	A x 2	C x 1	B x 10	A x 10
HARDWARE KIT FOR ANCHORING POST INTO CONCRETE			OPTIONAL ANCHOR KIT (ADDITIONAL ANCHORS)	

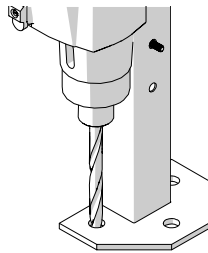
HARDWARE LIST	
A	3/8" x 3-3/4" WEDGE ANCHOR (FOR CONCRETE FLOOR)
B	3/8" USS FLAT WASHER
C	TUBE PLUG

**POST ARE FURNISHED STANDARD WITH 2 ANCHORS EACH.
FOR ADDITIONAL ANCHORS, ORDER **KT52205** (10 ANCHORS)**

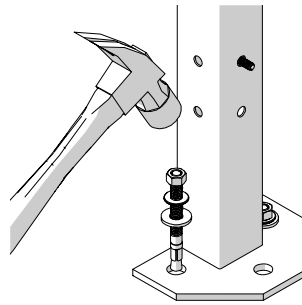


SAFETY DISTANCE 'X' FROM THE HAZARD AREA IN ACCORDANCE WITH ISO 13857 STANDARDS

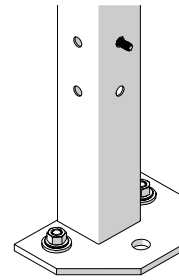
BASE PLATES POSITIONED TO ALLOW FOR CLEAR DOORWAY EGRESS



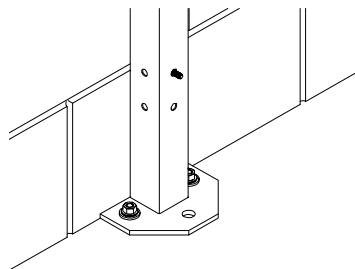
MARK AND DRILL 3/8" X 2-1/2" DEEP HOLES



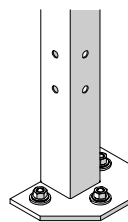
HAMMER IN WEDGE ANCHOR



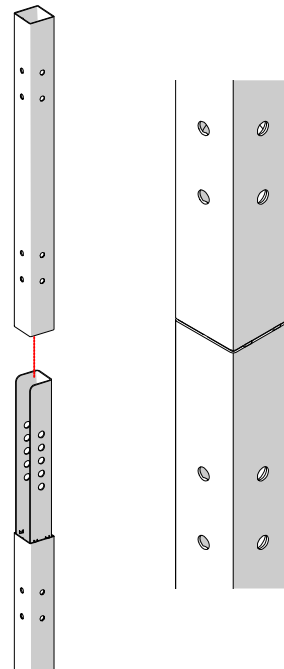
SECURE POST BY TIGHTENING NUTS



STANDARD INSTALLATION - 2 ANCHORS PER BASEPLATE REQUIRED



HEAVY DUTY/CORNER INSTALLATION - 3 ANCHORS PER BASEPLATE IF REQUIRED FOR ADDITIONAL ANCHORS ORDER KT52205



POST, EXTENSION POST, AND SPLICE BRACKET ARE SECURED WITH HARDWARE THAT IS INCLUDED WITH PANELS

NOTE:

- **UNIQUE BASE PLATE ALLOWS FOR MOUNTING FLUSH TO A WALL / OBSTACLE, OR UTILIZED FOR STANDARD GUARDING**
- **WHEN A POST IS INSTALLED AGAINST A WALL OR OBSTACLE PRE-INSTALL CARRIAGE BOLTS THROUGH POST HOLES BEFORE ANCHORING**
- **FOR SEVERELY UNEVEN FLOORS USE SHIM WASHERS UNDER THE BASE PLATE TO LEVEL POST**