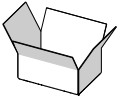
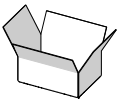


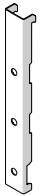
PARTS LIST:



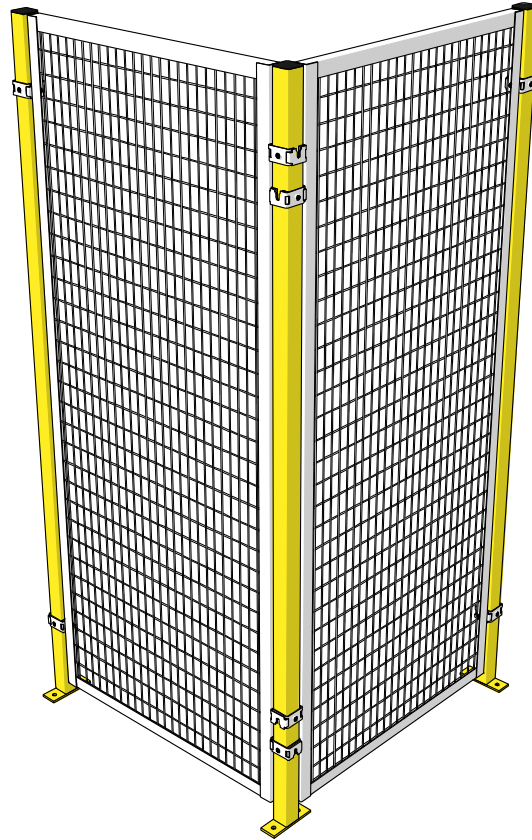
PANEL HARDWARE KIT



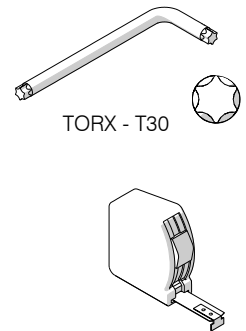
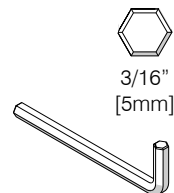
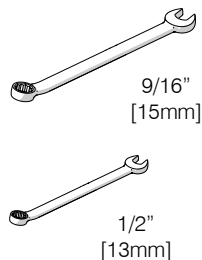
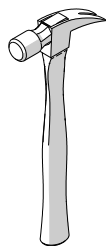
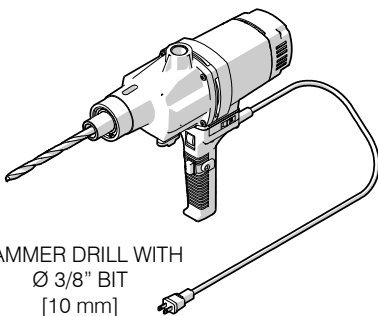
POST HARDWARE KIT



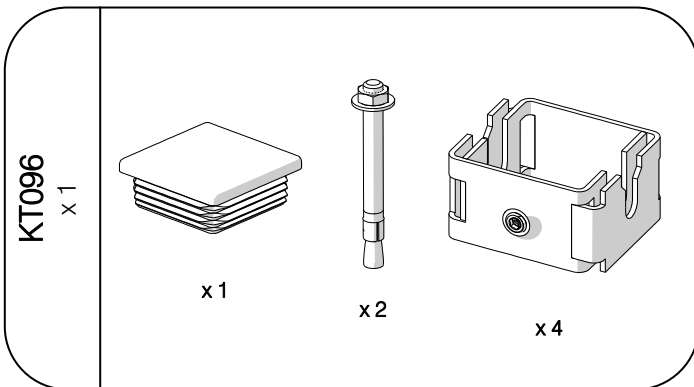
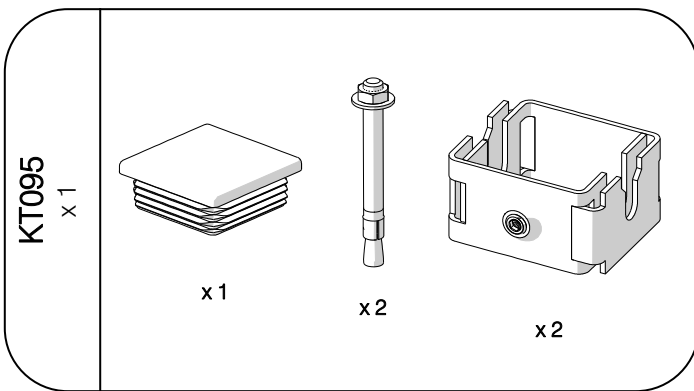
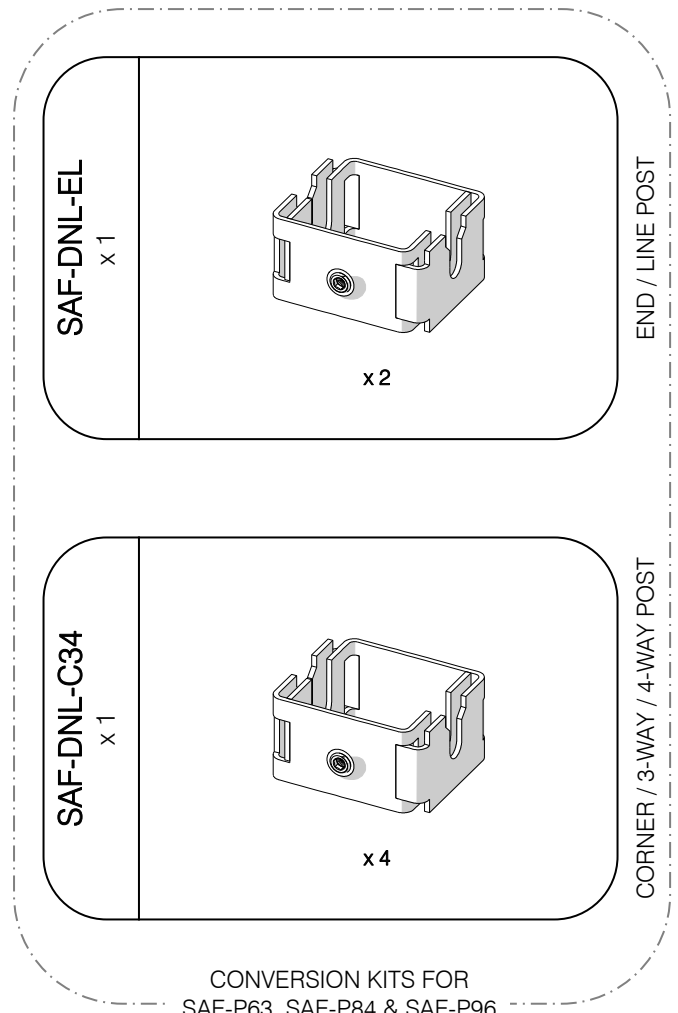
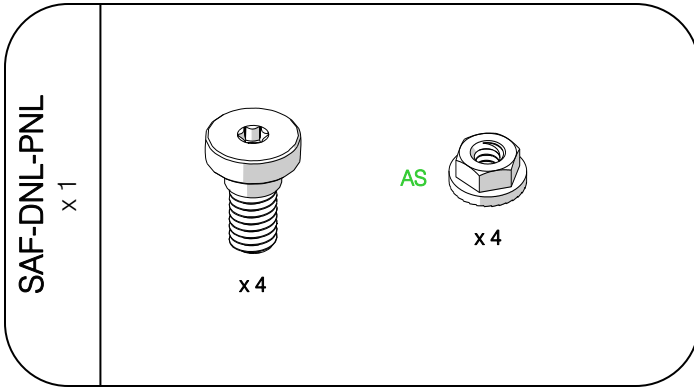
SPACER BRACKET
*(**SOLD SEPARATELY**)*



TOOLS REQUIRED:



HARDWARE PROVIDED:



HARDWARE LIST

(AS) 5/16" HEX NUT

