



L & P Guarding, LLC

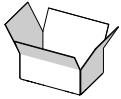
Providing Reliable Engineered Solutions

SAF-T-FENCE® Machine Guarding

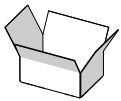
SAF-DNL

Drop-N-Lock® Removable Panel Kit

PARTS LIST:



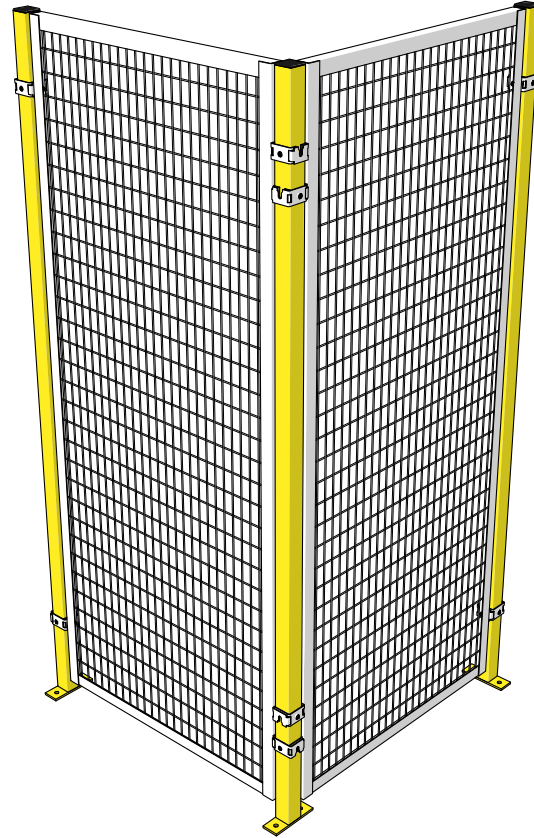
PANEL HARDWARE KIT



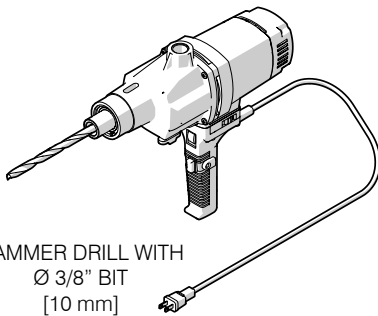
POST HARDWARE KIT



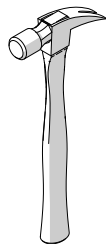
SPACER BRACKET
(*SOLD SEPARATELY*)



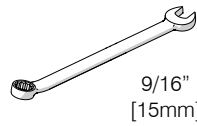
TOOLS REQUIRED:



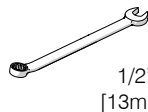
HAMMER DRILL WITH
Ø 3/8" BIT
[10 mm]



HAMMER

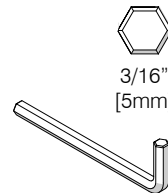


9/16"
[15mm]



1/2"
[13mm]

OPEN END WRENCH

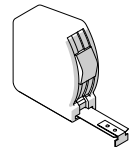


3/16"
[5mm]

ALLEN WRENCH

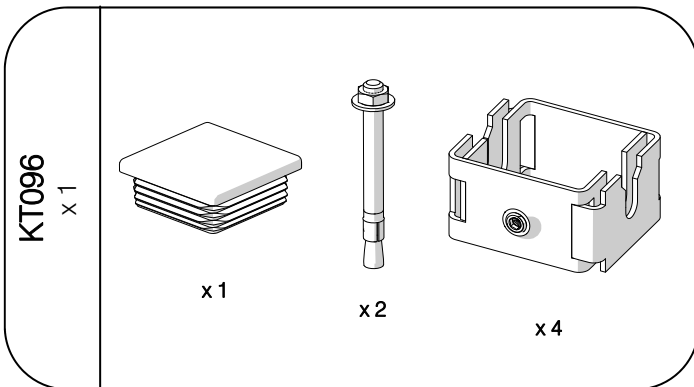
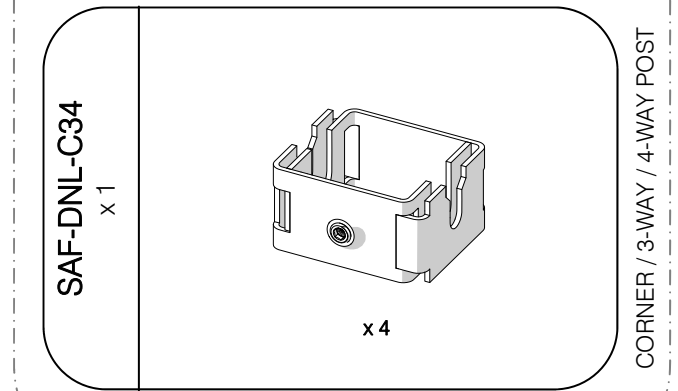
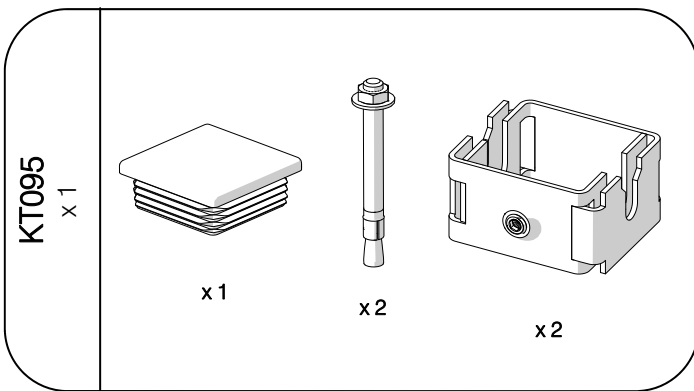
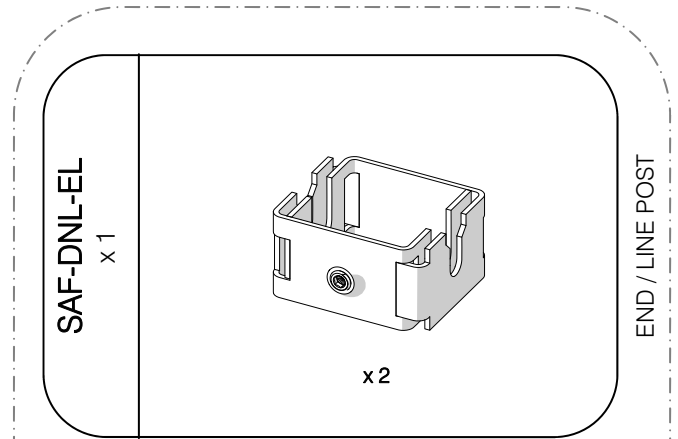
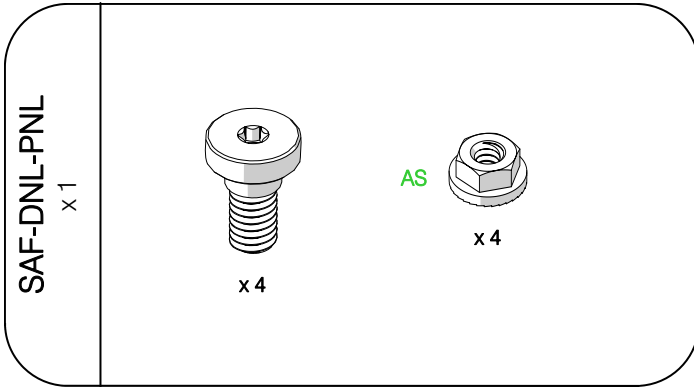


TORX - T30



MEASURING TAPE

HARDWARE PROVIDED:

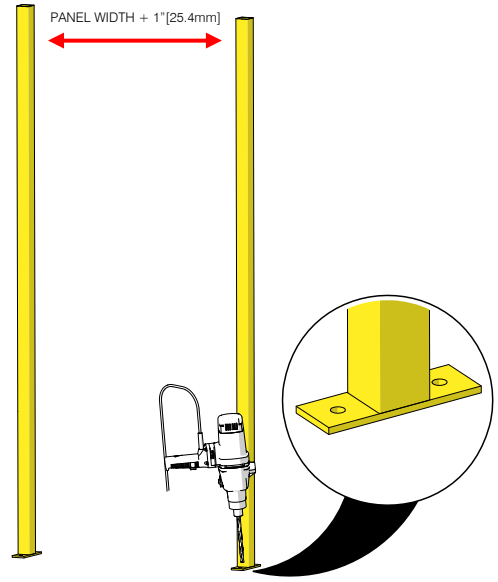


CONVERSION KITS FOR
SAF-P63, SAF-P84 & SAF-P96

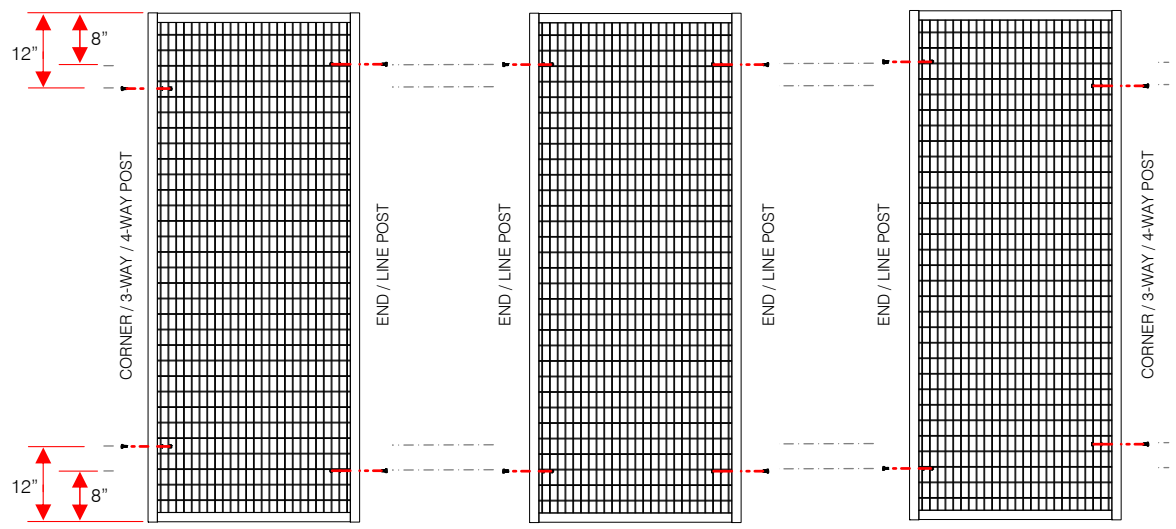
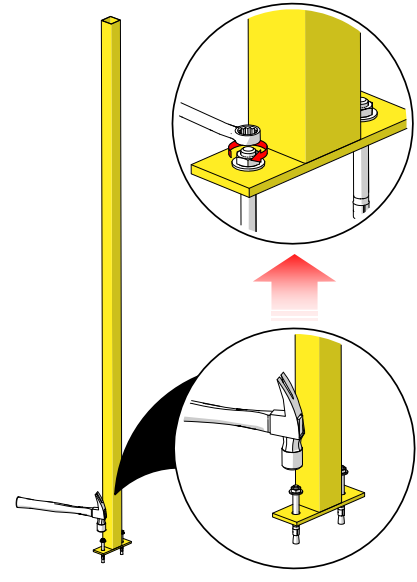
HARDWARE LIST

(AS) 5/16" HEX NUT

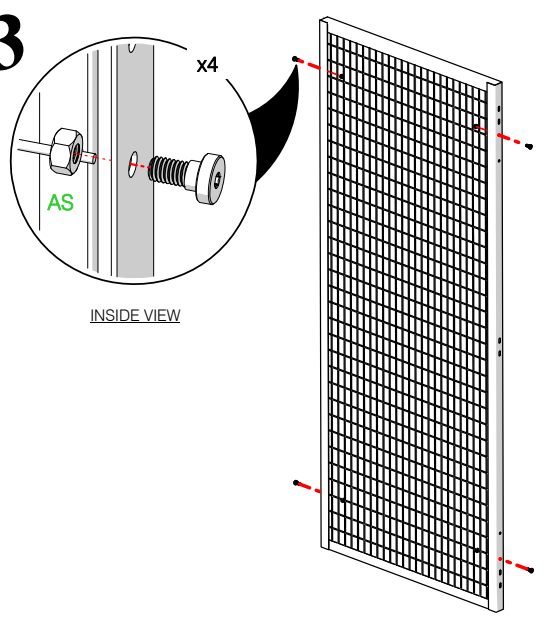
1



2



3



4

