



L & P Guarding, LLC

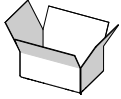
Providing Reliable Engineered Solutions

# SAF-T-FENCE® Machine Guarding

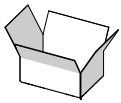
SAF-DNL

Drop-N-Lock® Removable Panel Kit

## PARTS LIST:



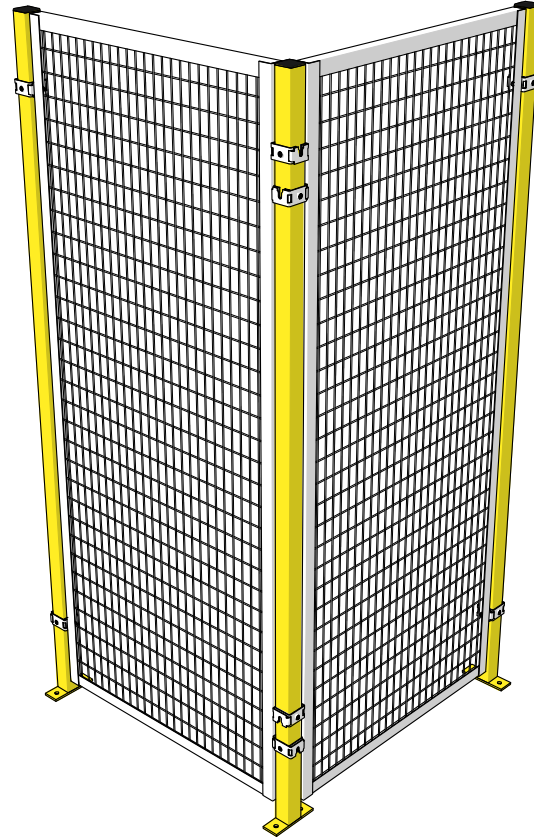
PANEL HARDWARE KIT



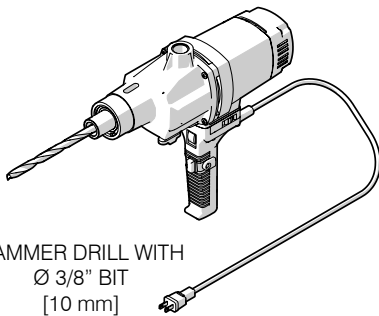
POST HARDWARE KIT



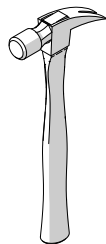
SPACER BRACKET  
(\*SOLD SEPARATELY\*)



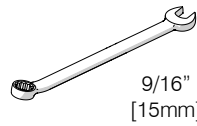
## TOOLS REQUIRED:



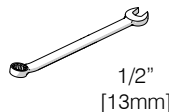
HAMMER DRILL WITH  
Ø 3/8" BIT  
[10 mm]



HAMMER

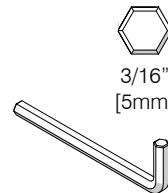


9/16"  
[15mm]



1/2"  
[13mm]

OPEN END WRENCH

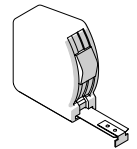


3/16"  
[5mm]

ALLEN WRENCH

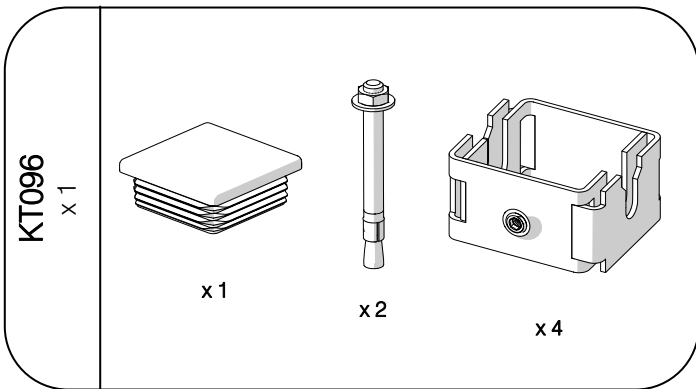
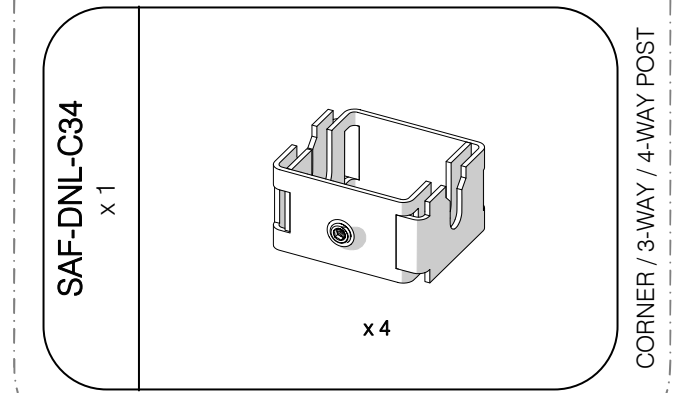
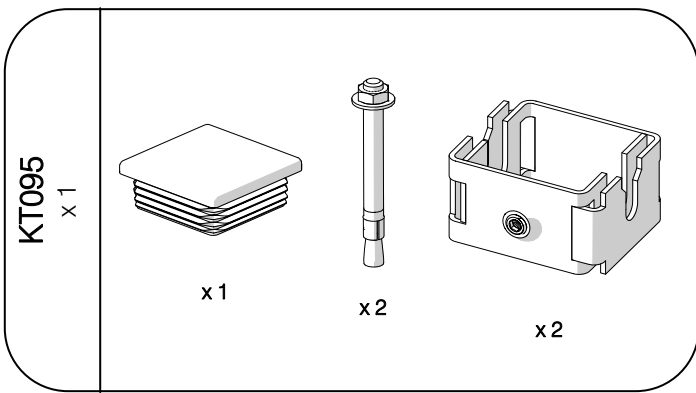
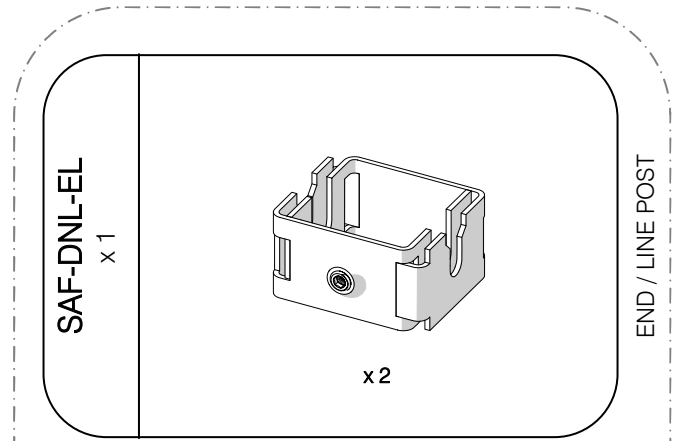
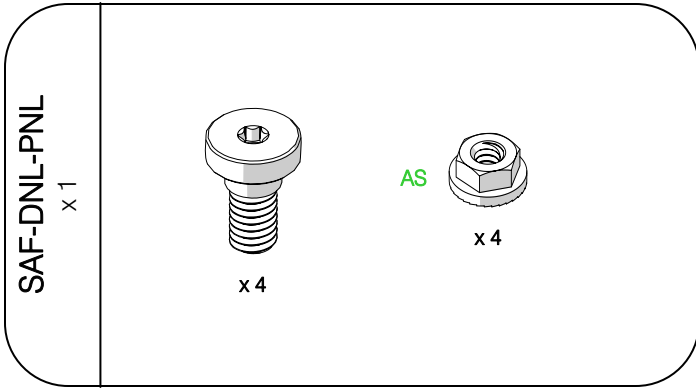


TORX - T30



MEASURING TAPE

# HARDWARE PROVIDED:



CONVERSION KITS FOR  
SAF-P63, SAF-P84 & SAF-P96

# HARDWARE LIST

(AS) 5/16" HEX NUT

