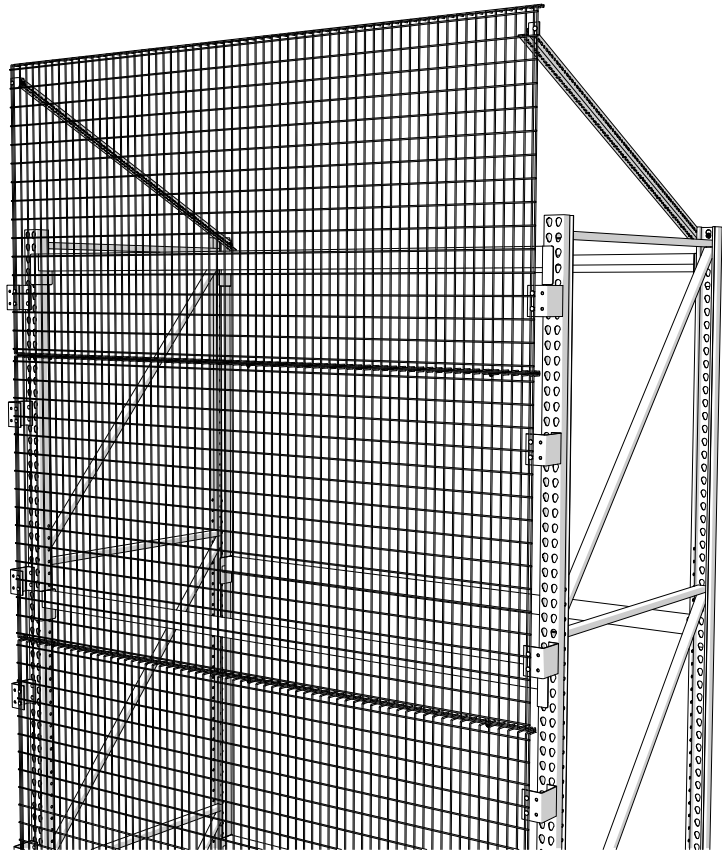
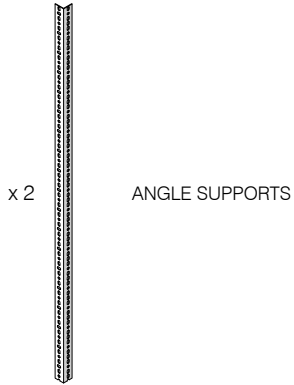
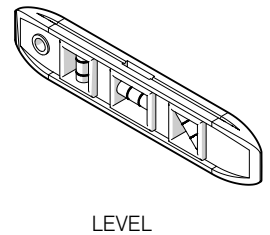
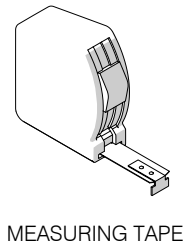
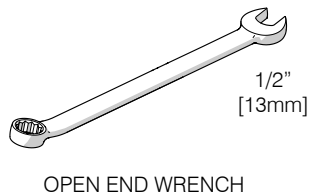
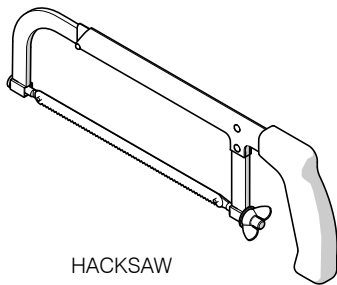


Providing Reliable Engineered Solutions

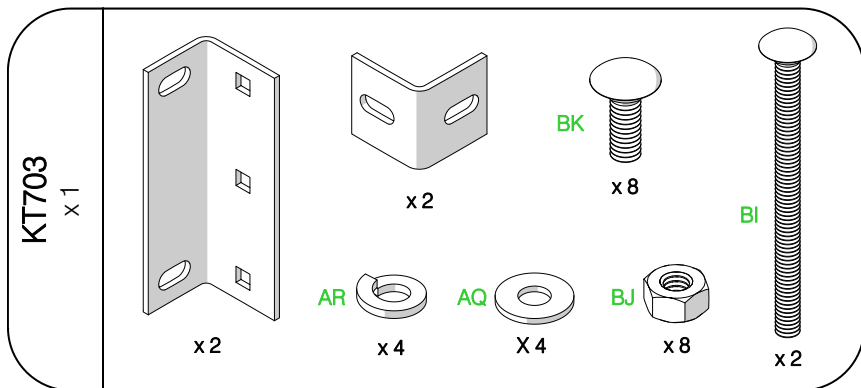
**PARTS LIST:**



**TOOLS REQUIRED:**

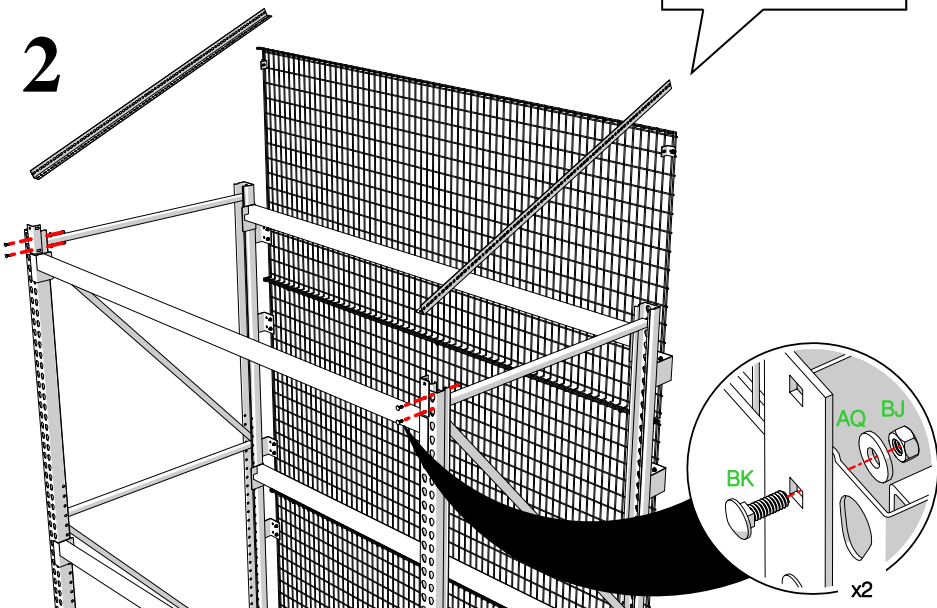
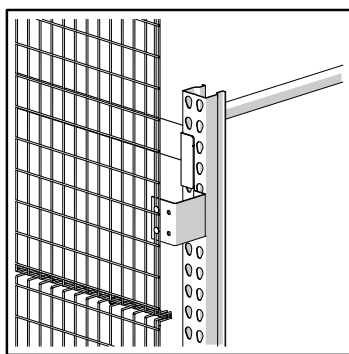
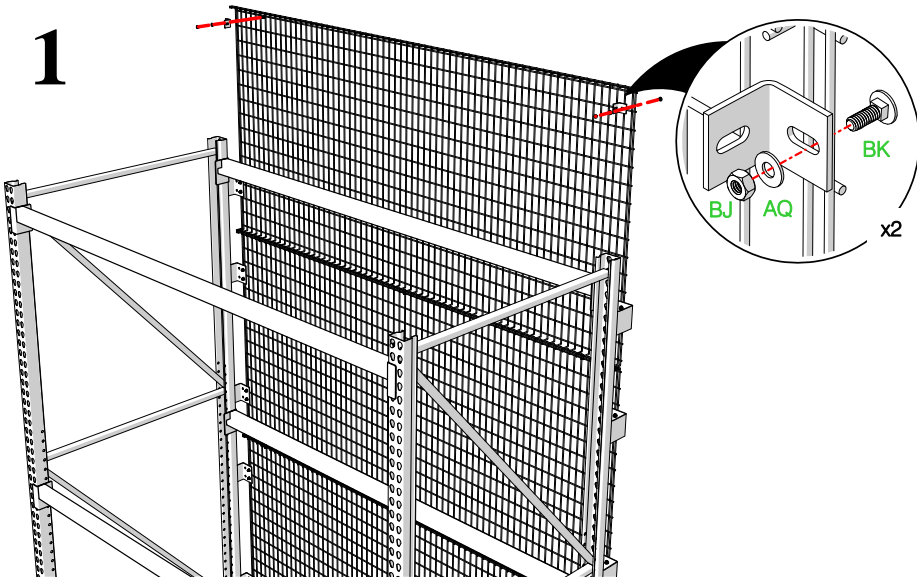


## HARDWARE PROVIDED: QR-EXT

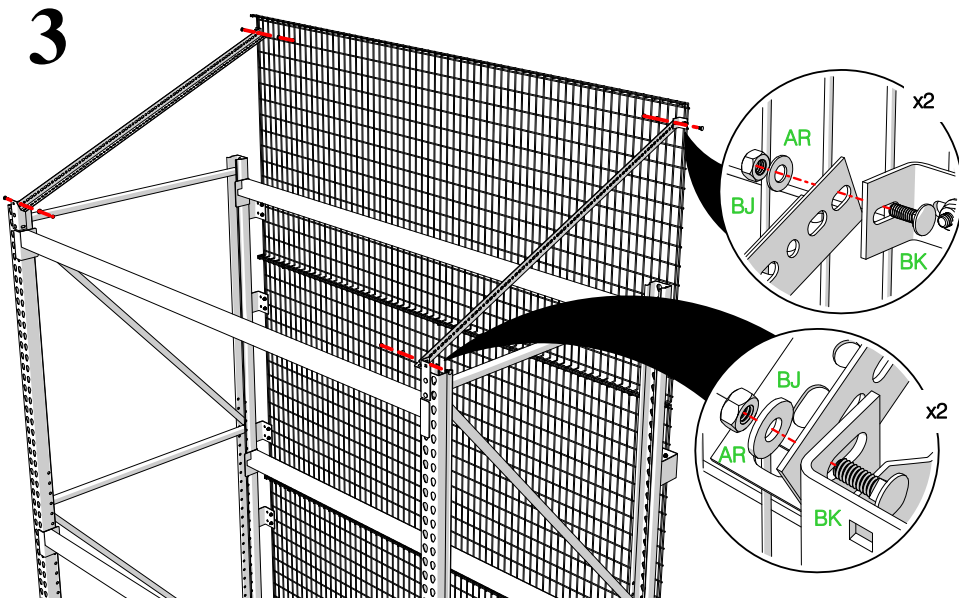


## HARDWARE LIST

- (BI) 5/16"-18 x 3-1/2" SQUARE NECK CARRIAGE BOLT
- (AQ) 5/16" FLAT WASHER
- (AR) 5/16" LOCK WASHER
- (BJ) 5/16"-18 FLANGE NUT
- (BK) 5/16"-18 x 3/4" SQUARE NECK CARRIAGE BOLT



**NOTE:**  
 BOTTOM HALF OF PANEL MUST BE SECURED, BY (2) MOUNTING BRACKETS, IN ORDER TO USE THIS EXTENSION KIT.



**NOTE:** IF INSTALLING ON CLOSED 3" UPRIGHTS, REPLACE **BK** BOLTS SHOWN IN STEP 2 WITH **BI** BOLTS PROVIDED IN HARDWARE KIT